

SMT HINGES



SMT Soft Close Hinge

- Opening angle 110°
- Depth of hinge cup: 11,3 mm
- Diameter of hinge cup: 35 mm
- Hinge finish: Nickel Plating
- Packing: 50 bag (each bag includes two hinge and two plate)

SMT Track Hinge

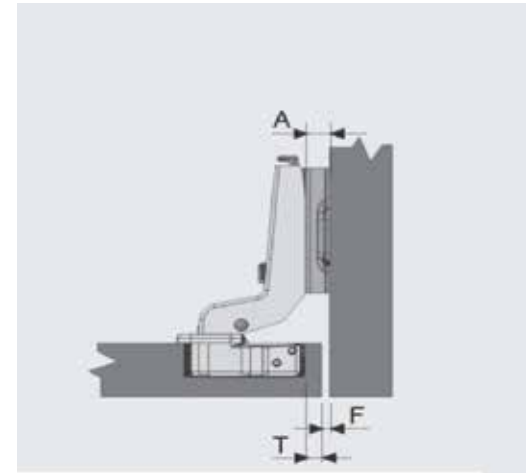
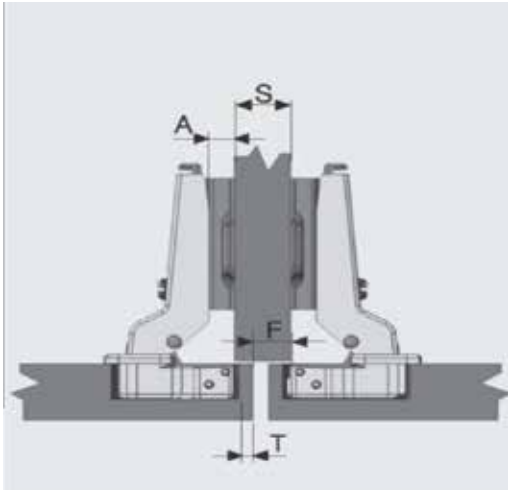
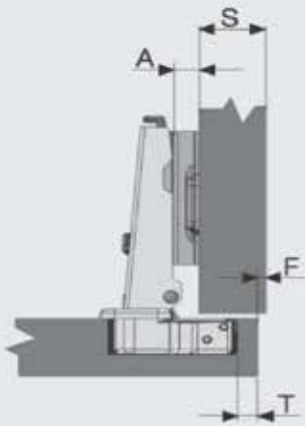
- Opening angle 110°
- Depth of hinge cup :11,3 mm
- Diameter of hinge cup: 35 mm
- Hinge finish: Nickel Plating
- Packing: 50 bag (each bag includes two hinge and two plate)

SMT Slide-On Hinge

- Opening angle 110°
- Depth of hinge cup: 11,3 mm
- Diameter of hinge cup: 35 mm
- Hinge finish: Nickel Plating
- Packing: 100 bag (each bag includes two hinge and two plate)

smt

Application Info



Cranking 0 mm

| S | Wall Thickness | 18 | 16 |
|---|----------------|-------------|----|
| A | MP Thickness | 2 2 4 2 4 4 | |
| T | Cup Distance | 5 6 5 4 6 5 | |
| F | Minimum Gap | 1 0 3 0 0 1 | |

Cranking 8 mm

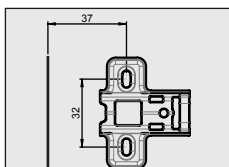
| S | Wall Thickness | 18 | 16 |
|---|----------------|-------------|----|
| A | MP Thickness | 4 4 2 5 4 | |
| T | Cup Distance | 5 4 4 4 5 | |
| F | Minimum Gap | 10 11 9 9 8 | |

Cranking 17 mm

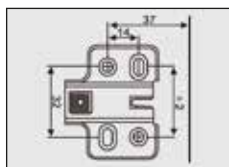
| S | Wall Thickness | 18 |
|---|----------------|-------|
| A | MP Thickness | 2 4 4 |
| T | Cup Distance | 4 5 4 |
| F | Minimum Gap | 0 1 2 |

Code List

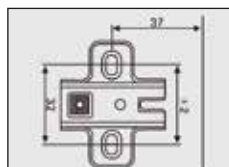
| CODE | DESCRIPTION |
|-----------|---|
| 101998121 | SMT 0 MM SOFT CLOSING HINGE 52Ax & 0 MM MOUNTING PLATE |
| 101998122 | SMT 8 MM SOFT CLOSING HINGE 52Ax & 0 MM MOUNTING PLATE |
| 101998123 | SMT 17 MM SOFT CLOSING HINGE 52Ax & 0 MM MOUNTING PLATE |
| 101998141 | SMT 0 MM SOFT CLOSING 8 MM DOWEL HINGE 52 Ax & 0 MM EUROSCREW MOUNTING PLATE |
| 101998142 | SMT 8 MM SOFT CLOSING 8 MM DOWEL HINGE 52 Ax & 0 MM EUROSCREW MOUNTING PLATE |
| 101998143 | SMT 17 MM SOFT CLOSING 8 MM DOWEL HINGE 52 Ax & 0 MM EUROSCREW MOUNTING PLATE |
| 101998111 | SMT 0 MM TRACK HINGE 52Ax & 0 MM MOUNTING PLATE |
| 101998112 | SMT 8 MM TRACK HINGE 52Ax & 0 MM MOUNTING PLATE |
| 101998113 | SMT 17 MM TRACK HINGE 52Ax & 0 MM MOUNTING PLATE |
| 101998131 | SMT 0 MM HINGE 52Ax & 2 MM MOUNTING PLATE |
| 101998132 | SMT 8 MM HINGE 52Ax & 2 MM MOUNTING PLATE |
| 101998133 | SMT 17 MM HINGE 52 Ax & 4 MM MOUNTING PLATE |
| 101998134 | SMT 0 MM HINGE 52AX & 2MM MOUNTING PLATE WITH 4 HOLES |
| 101998135 | SMT 8 MM HINGE 52AX & 2MM MOUNTING PLATE WITH 4 HOLES |
| 101998136 | SMT 17 MM HINGE 52AX & 4MM MOUNTING PLATE WITH 4 HOLES |
| 101998114 | SMT TRACK 0 MM HINGE 52AX & 2MM MOUNTING PLATE WITH 4 HOLES |
| 101998115 | SMT TRACK 8 MM HINGE 52AX & 2MM MOUNTING PLATE WITH 4 HOLES |
| 101998116 | SMT TRACK 17 MM HINGE 52AX & 4MM MOUNTING PLATE WITH 4 HOLES |



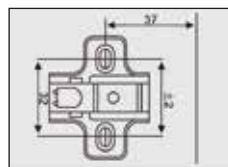
Track Mounting Plate



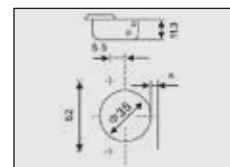
Slide 4 Hole Mounting Plate



Slide Mounting Plate



Track Mounting Plate



Hinge Cups

